

SOLE
FITNESS

**OWNER'S MANUAL
E95s Elliptical Trainer**

*Please carefully read this entire manual
before operating your new elliptical.*

ATTENTION: *Before returning your Sole product to any retailer, or if you require any assistance with assembly or technical support please call us first for assistance at 866-697-6531. Thank you for your Sole purchase.*

TABLE OF CONTENTS

<u>Product Registration</u>	3
<u>Important Safety Instructions</u>	4
<u>Important Electrical Information</u>	5
<u>Important Operation Instructions</u>	6
<u>E95s Assembly Instructions</u>	9
<u>Fitness ELLIPTICAL Features</u>	15
<u>Operation of Your New Fitness ELLIPTICAL</u>	16
<u>Bluetooth® Connectivity</u>	20
<u>Programmable Features</u>	22
<u>Using Heart Rate Monitor</u>	30
<u>General Maintenance</u>	33
<u>Manufacturer's Limited Warranty</u>	36



WARNING: This product can expose you to chemicals including Toluene and Acrylamide which are known to the State of California to cause Cancer and birth defects or other reproductive harm. For more information, go to www.P65Warnings.ca.gov

ATTENTION

THIS FITNESS ELLIPTICAL IS INTENDED FOR **RESIDENTIAL USE ONLY** AND IS WARRANTED FOR THE APPLICATION. ANY OTHER APPLICATION **VOIDS** THIS WARRANTY IN ITS ENTIRETY.

Before returning your Sole product to any retailer, or if you require any assistance with assembly or technical support please call us first for assistance at 866-697-6531. Thank you for your Sole purchase.

SOLE

FITNESS

CONGRATULATIONS ON YOUR NEW FITNESS ELLIPTICAL AND WELCOME TO THE SOLE FAMILY!

Thank you for your purchase of this quality fitness ELLIPTICAL from **SOLE**. Your new fitness ELLIPTICAL has been manufactured by one of the leading fitness manufacturers in the world and is backed by one of the most comprehensive warranties available. **SOLE** will do all we can to make your ownership experience as pleasant as possible for many years to come.

If you have any questions about your new product contact **SOLE** Fitness at **866-780-SOLE (7653)**. If you have a technical problem with your new elliptical contact **SOLE** technical service at **866-MYSOLE1 (1-866-697-6531)**.

Please take a moment at this time to record below the name of the dealer, their telephone number, and the date of purchase for easy contact in the future. We appreciate your confidence in **SOLE** and we will always remember that you are the reason that we are in business. Please complete and mail your registration card today and enjoy your new fitness ELLIPTICAL.

Yours in Health,
SOLE Fitness

Nam of Dealer _____

Telephone Number of Dealer _____

Purchase Date _____

PRODUCT REGISTRATION

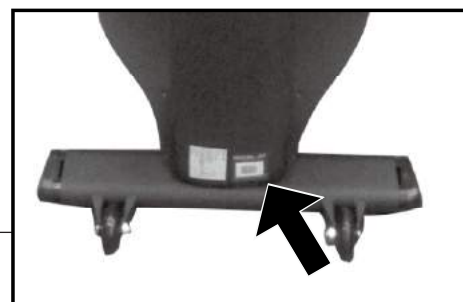
RECORD YOUR SERIAL NUMBER

Please record the Serial Number of this fitness product in the space provided below.

Serial Number _____

REGISTER YOUR PURCHASE

The self-addressed product registration card must be completed in full and returned to **SOLE**. You can also go to www.soleellipticals.com under the support tab to register online.



IMPORTANT SAFETY INSTRUCTIONS

WARNING- Read all instructions before using this appliance.

DANGER- To reduce the risk of electric shock disconnect your SOLE elliptical from the electrical outlet prior to cleaning and/or service work.

WARNING- To reduce the risk of burns, fire, electric shock, or injury to persons, install the elliptical on a flat level surface with access to a 115-volt, 15-amp grounded outlet with only the elliptical plugged into the circuit.

DO NOT USE AN EXTENSION CORD UNLESS IT IS A 14AWG OR BETTER, WITH ONLY ONE OUTLET ON THE END: DO NOT ATTEMPT TO DISABLE THE GROUNDED PLUG BY USING IMPROPER ADAPTERS, OR IN ANY WAY MODIFY THE CORD SET.

A serious shock or fire hazard may result along with computer malfunctions. See Grounding Instructions, page 3.

- Do not operate elliptical on deeply padded, plush or shag carpet. Damage to both carpet and elliptical may result.
- K Keep children under the age of 13 away from this machine. There are obvious pinch points and other caution areas that can cause harm.
- Keep hands away from all moving parts.
- Never operate the elliptical if it has a damaged cord or plug. If the elliptical is not working properly, call your dealer.
- Keep the cord away from heated surfaces.
- Do not operate where aerosol spray products are being used or where oxygen is being administered. Sparks from the motor may ignite a highly gaseous environment.
- Never drop or insert any object into any openings.
- Do not use outdoors.
- To disconnect, turn all controls to the off position and then remove the plug from the outlet.
- Do not attempt to use your elliptical for any purpose other than for the purpose it is intended.
- The hand pulse sensors are not medical devices. Various factors, including the user's movement, may affect the accuracy of heart rate readings. The pulse sensors are intended only as exercise aids in determining heart rate trends in general.
- Wear proper shoes. High heels, dress shoes, sandals or bare feet are not suitable for use on your elliptical. Quality athletic shoes are recommended to avoid leg fatigue.
- This appliance is not intended for use by persons with reduced physical, sensory or mental capabilities, or lack of experience and knowledge, unless they have been given supervision or instruction concerning use of the appliance by a person responsible for their safety.

SAVE THESE INSTRUCTIONS - THINK SAFETY!

IMPORTANT ELECTRICAL INSTRUCTIONS

WARNING!

NEVER remove any cover without first disconnecting AC power.

If voltage varies by ten percent (10%) or more, the performance of your fitness ELLIPTICAL may be affected. **Such conditions are not covered under your warranty.** If you suspect the voltage is low, contact your local power company or a licensed electrician for proper testing.

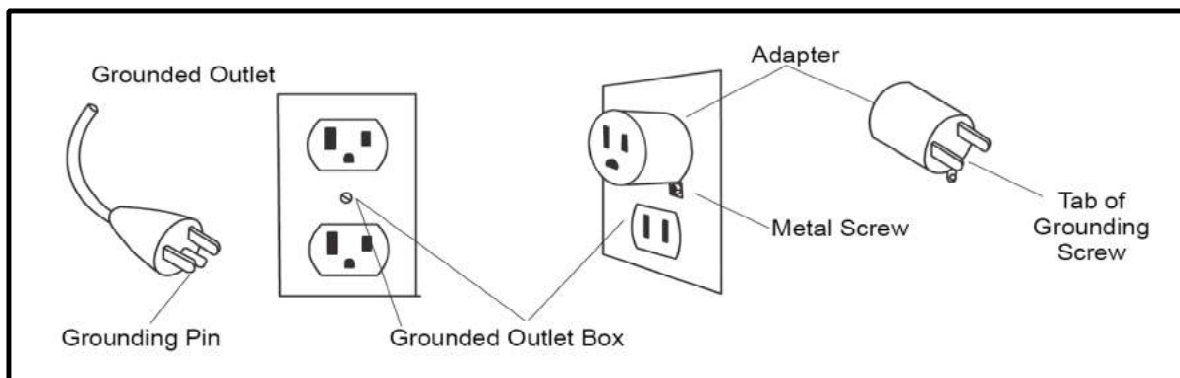
NEVER expose this fitness ELLIPTICAL to rain or moisture. This product is **NOT** designed for use outdoors, near a pool or spa, or in any other high humidity environment. The operating temperature specification is 40 to 120 degrees Fahrenheit, and humidity is 95% non-condensing (no water drops forming on surfaces).

GROUNDING INSTRUCTIONS

This product must be grounded. If the elliptical should malfunction or breakdown, grounding provides a path of least resistance for electric current, reducing the risk of electric shock. This product is equipped with a cord having an equipment-grounding plug. The plug must be plugged into an appropriate outlet that is properly installed and grounded in accordance with all local codes and ordinances.

DANGER - Improper connection of the equipment-grounding conductor can result in a risk of electric shock. Check with a qualified electrician or serviceman if you are in doubt as to whether the product is properly grounded. Do not modify the plug provided with the product if it will not fit the outlet; have a proper outlet installed by a qualified electrician.

This product is for use on a nominal 115-volt circuit, and has a grounding plug that looks like the plug illustrated below. A temporary adapter that looks like the adapter illustrated below may be used to connect this plug to a 2-pole receptacle as shown below if a properly grounded outlet is not available. The temporary adapter should be used only until a properly grounded outlet, (shown below) can be installed by a qualified electrician. The green colored rigid ear-lug, or the like, extending from the adapter, must be connected to a permanent ground such as a properly grounded outlet box cover. Whenever the adapter is used, it must be held in place by a metal screw.


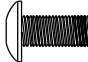
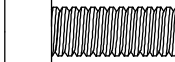
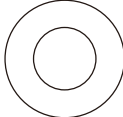
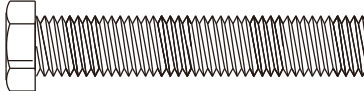
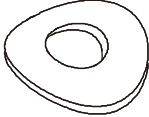
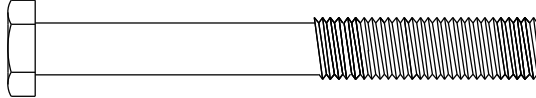


IMPORTANT OPERATION INSTRUCTIONS

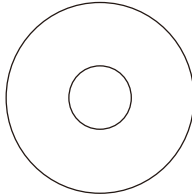
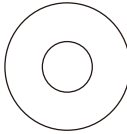


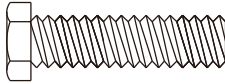
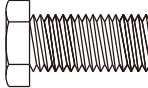
- **NEVER** operate this elliptical without reading and completely understanding the results of any operational change you request from the computer.
- Understand that changes in resistance and [stride](#) do not occur immediately. Set your desired resistance level on the computer console and release the adjustment key. The computer will obey the command gradually.
- **NEVER** use your elliptical during an electrical storm. Surges may occur in your household power supply that could damage elliptical components. Unplug the elliptical during an electrical storm as a precaution.
- Use caution while participating in other activities while using your elliptical; such as watching television, reading, etc. These distractions may cause you to lose balance; which may result in serious injury.
- Always hold on to a handle bar while making control changes ([stride](#), level, etc.).
- Do not use excessive pressure on console control keys. They are precision set to function properly with little finger pressure. If you feel the buttons are not functioning properly with normal pressure contact your SOLE dealer.

E95s ASSEMBLY PACK CHECKLIST

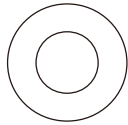
1 HARDWARE STEP 1

		
<p>#186. 3/8" x 2T Split Washer (4 pcs)</p>	<p>#150. M5 x 10m/m Phillips Head Screw (6pcs)</p>	<p>#145. 3/8"X3/4" Socket Head Cap Bolt (4 pcs)</p>
		
<p>#176. 3/8" x 19 x 1.5T Flat Washer (6 pcs)</p>	<p>#137. 3/8" x 2-1/4" Hex Head Bolt (2 pcs)</p>	
		
<p>#187. 3/8" x 23 x 2T Curved Washer (4 pcs)</p>	<p>#139. 3/8" x 3-3/4" Hex Head Bolt (4 pcs)</p>	

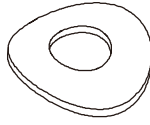
2 HARDWARE STEP

		
<p>#175. 3/8" x 30 x2T Flat Washer (2 pcs)</p>	<p>#180. 5/16" x 20 x 1.5T Flat Washer (2 pcs)</p>	<p>#168. 5/16" x 9T Nyloc Nut (2 pcs)</p>
		
<p>#204. Ø25 Wave Washer (2 pcs)</p>	<p>#134. 5/16" x 1-1/4" Hex Head Bolt (2 pcs)</p>	<p>#136. 3/8" x 3/4" Hex Head Bolt (2 pcs)</p>

3 HARDWARE STEP 3



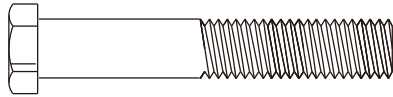
#176. 3/8" x 19 x 1.5T
Flat Washer (8 pcs)



#187. 3/8" x 23 x 2T
Curved Washer (4 pcs)



#97. Switch Wire Cap
(2 pcs)



#138. 3/8" x 2-1/4"
Hex Head Bolt (6 pcs)



#165. 3/8" x 7T
Nyloc Nut (6 pcs)

4 HARDWARE STEP 4



#152. M5 x 15mm
Phillips Head Screw
(14 pcs)

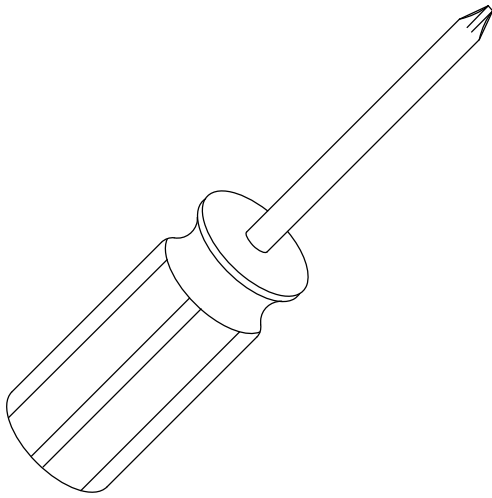


#153. 3.5mm x 12mm
Sheet Metal Screw
(12 pcs)

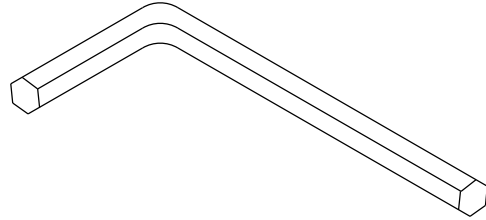


#154. 4mm x 15mm
Sheet Metal Screw
(2 pcs)

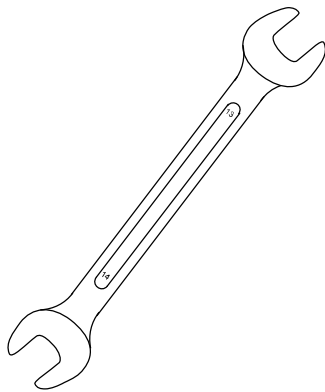
ASSEMBLY TOOLS



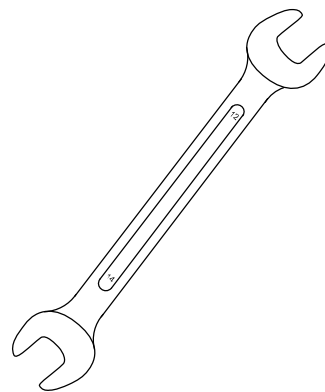
#192. Phillips Head Screw Driver



#193. M8_L Allen Wrench



#194. 13/14m/m_Wrench



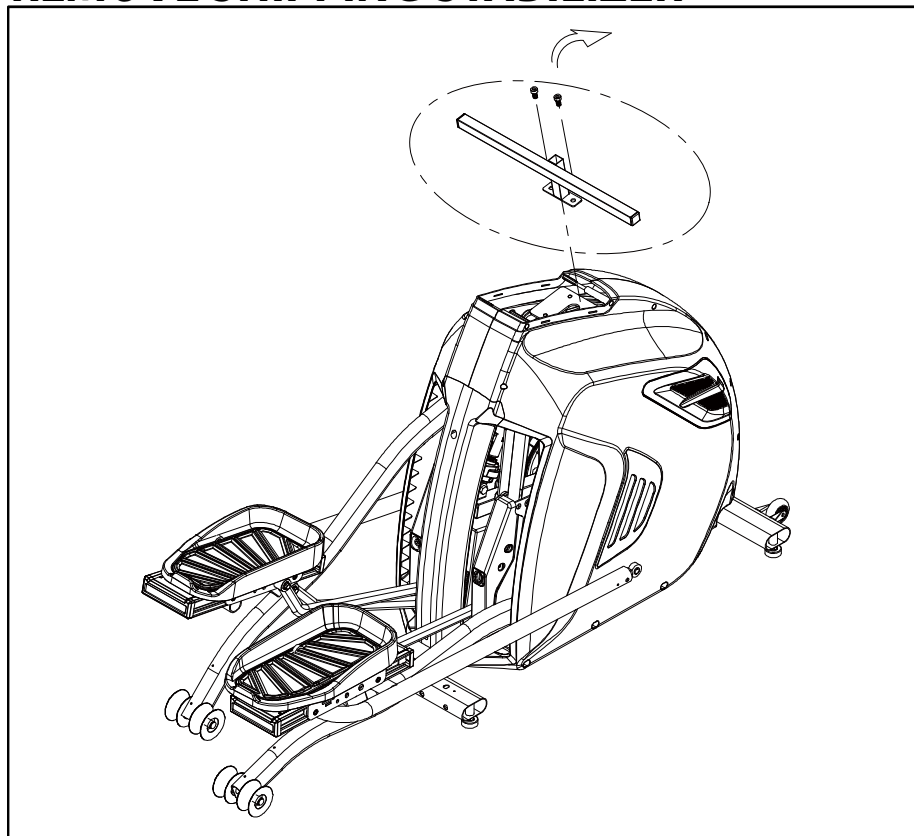
#195. 12/14m/m_Wrench

E95s ASSEMBLY INSTRUCTIONS

PRE-ASSEMBLY

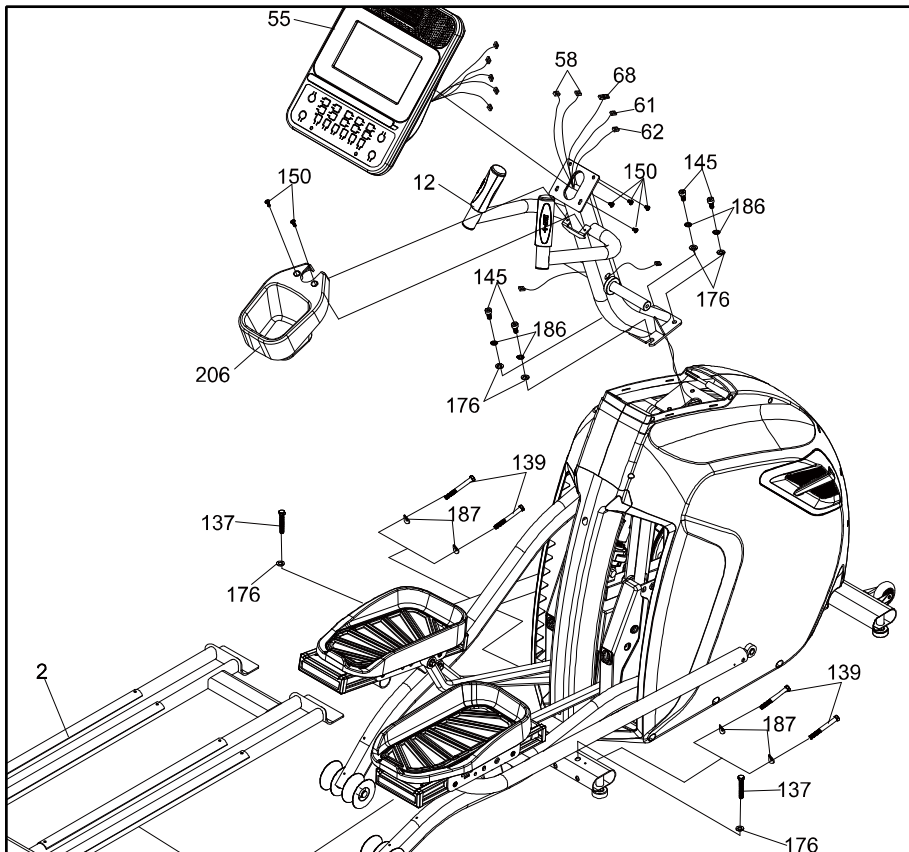
1. Using a razor knife (Box Cutter) cut the outside, bottom, edge of box along the dotted Line. Lift Box over the unit and unpack.
2. Carefully remove all parts from carton and inspect for any damage or missing parts. If damaged parts are found, or parts are missing, contact your dealer immediately.
3. Locate the hardware package. Remove the tools first. Remove the hardware for each step as needed to avoid confusion. The numbers in the instructions that are in parenthesis (#) are the item number from the assembly drawing for reference.

REMOVE SHIPPING STABILIZER



1. Use the Allen Wrench (**193**) to remove the two Bolts and discard the shipping stabilizer.

1 REAR RAILS/CONSOLE MAST

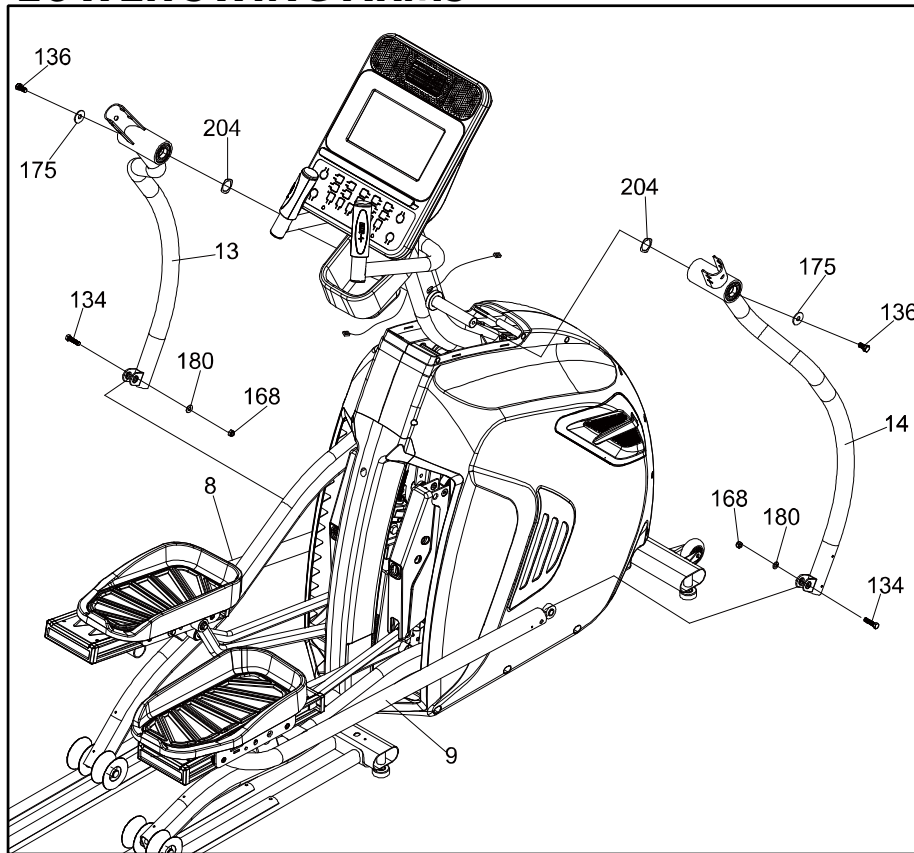


HARDWARE STEP 1

- 186.** 3/8" x 2T Split Washer (4 pcs)
- #150.** M5 x 10mm Phillips Head Screw (6 pcs)
- #145.** 3/8"X3/4" Socket Head Cap Bolt (4 pcs)
- #176.** 3/8"x19 x1.5T Flat Washer (6 pcs)
- #137.** 3/8" x 2-1/4" Hex Head Bolt (2 pcs)
- #187.** 3/8"x23x2T Curved Washer (4 pcs)
- #139.** 3/8" x 3-3/4" Hex Head Bolt (4 pcs)

1. Slide the rear rail assembly **(2)** under the rear tube of the main body of the elliptical. Put the two bolts, and flat washers **(137, 176)** through the top of the main body tube and hand tighten into the Rear Rail Assembly **(2)**. You will fully tighten these bolts after the next step.
2. Install the four Bolts **(139)** and Curved Washers **(187)** through the front of the main body tube. You may need to tighten or loosen the two top bolts to aid in aligning the holes. When all bolts are threaded then tighten with the Allen wrench.
3. Run the computer cable **(68)** from the main body through the console mast tube **(12)**. There is a long tie-wrap that is pre-installed in the console mast tube. Tie the end of the computer cable to the tie-wrap at the bottom of the tube and then use the other end of the tie-wrap to pull the computer cable through the tube. Bolt the console mast tube onto the main body with the four Bolts **(145)**, Split Washers **(186)** and Flat Washers **(176)**.
4. Untie the Computer Cable **(68)** and connect it to the console along with the two Hand Pulse cables **(58)**, Resistance and Stride switch cables **(61/62)**. Then place the Console on top of the Mast and use Phillips Head Screw Driver **(192)** to tighten the four M5 Phillips Head Screws **(150)**.
5. Install the Bottle Holder **(206)** to the Console Mast **(12)** with Phillips Head Screws **(150)** and tighten with the provided Phillips Head Screw Driver **(192)**.
 ※Please note the bottle holder must be assembled before console assembly.

2 LOWER SWING ARMS

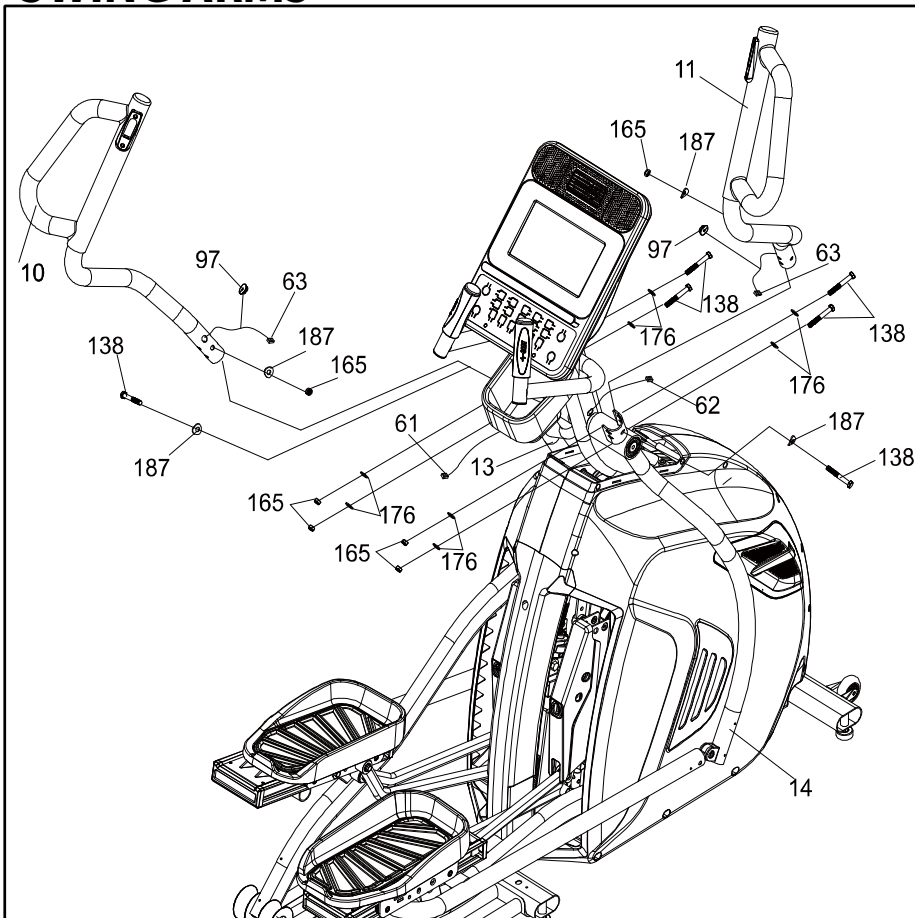


HARDWARE STEP 2

- #175. 3/8" x 30 x 2T Flat Washer (2 pcs)
- #180. 5/16" x 20 x 1.5T Flat Washer (2 pcs)
- #168. 5/16" x 9T Nyloc Nut (2 pcs)
- #204. \varnothing 25 Wave Washer (2 pcs)
- #134. 5/16" x 1-1/4" Hex Head Bolt (2 pcs)
- #136. 3/8" x 3/4" Hex Head Bolt (2 pcs)

1. Install two Wave Washers (**204**) onto left and right shafts of the mast tube. Locate left and right Lower Swing Arms (**13**, **14**) and slide them onto the left and right shafts. Install the two Hex Head Bolts (**136**) and 3/8" Flat Washers (**175**) and tighten with the Wrench (**194**).
2. Remove the tie-wrap from the Rod end Bearings on the left Connecting Arm (**8**) and slide it into the bracket on the lower swing arm. Secure it in place with a Hex Head Bolt (**134**), Flat Washer (**180**) and Nyloc Nut (**168**) by using 13/14mm Wrench (**194**) and 12/14mm Wrench (**195**). Repeat for the right Connecting Arm (**9**) and right Lower Swing Arm (**14**).

3 SWING ARMS

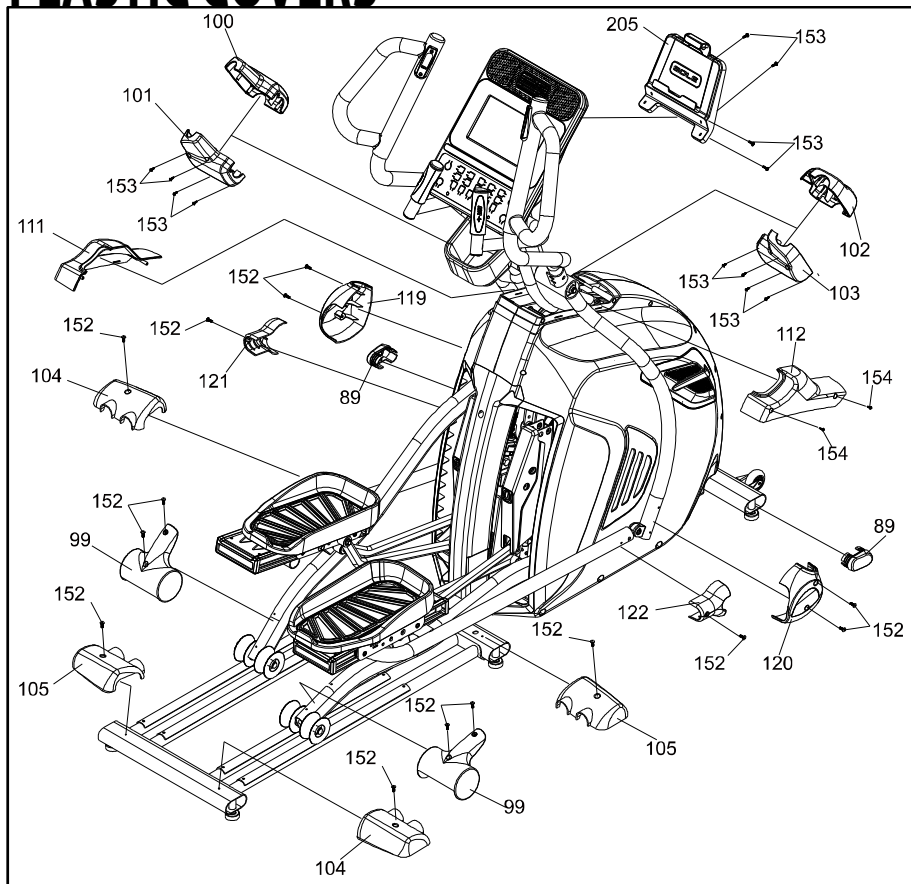


HARDWARE STEP 3

- #176. 3/8"x19x1.5T Flat Washer (8 pcs)
- #187. 3/8"x23x2T Curved Washer (4 pcs)
- #97. Switch Wire Cap (2 pcs)
- #138. 3/8" x 2-1/4" Hex Head Bolt (6 pcs)
- #165. 3/8" x7T Nyloc Nut (6 pcs)

1. Insert left Seat Handle Bar (10) onto left Lower Handle Bar (13) and secure with three Hex Head Bolts(138), four Flat Washers (176), two Curved Washers (187) and three Nyloc Nuts(165) by using Wrench (194) and Wrench (195). Do it the same way for right Seat Handle Bar (11) and right Lower Handle Bar (14).
2. Connect Handle Wire (Upper), Resistance (White, 61) and Handle Wire (Upper), stride (Red, 62) to two Handle Wires (Lower), Resistance/ stride (63) respectively and save the excessive wires in the mast tube. Finally, plug in Switch Wire Caps onto the mast tube to secure the wire.

4 PLASTIC COVERS



HARDWARE STEP 4

#152. M5 × 15mm
Phillips Head Screw
(14 pcs)

#153. 3.5mm × 12mm
Sheet Metal Screw
(12 pcs)

#154. 4mm × 15mm
Sheet Metal Screw
(2 pcs)

1. Secure left Connecting Arm Cover (121) on left Connecting Arm with Phillips Head Screws (152) then secure left Connecting Arm Cover (119) with two Phillips Head Screws (152) on Lower Swing Arm. Repeat for the right side Connecting Arm Covers (122) and (120) on right Connecting Arm and right Lower Swing Arm.
2. Secure two Slide Wheel Covers (99) with four Phillips Head Screws (152).
3. Install the four Stabilizer Covers (104 & 105) on both left and right sides of rear tube of rear rail assembly with four Phillips Head Screws (152).
4. Match left and right Console Mast Covers (111, 112) with left and right side cases respectively and secure with two Sheet Metal Screws (154).
5. Match Front Handle Bar Cover (100) and Rear Handle Bar Cover (101) with each other on left Lower Swing Arm and secure with four Sheet Metal Screws (153). Do the same for right Front Handle Bar Covers (102) and Rear Handle Bar Cover (103). (Be careful not to pinch the wire).
6. Install the two Oval End Caps (89) onto both ends of the front stabilizer tube.
7. Install the Tablet Holder (205) to back of the console with four Sheet Metal Screws (153).

FITNESS ELLIPTICAL FEATURES

STRIDE LENGTH ADJUSTMENT

The E95s has unique adjustable stride length feature that will further increase the variety of your workouts. When the stride setting is at its lowest position the stride length will be 18 inches. This setting is used when pedaling slowly or during quick bursts at very high resistance. The top setting is 24 inches and is used during higher speed pedaling. The stride adjustment can also be used to select a stride length that is comfortable for you.

The stride length can also be computer controlled. The stride length can be controlled by buttons on the console or left swing arm and also can be automatically adjusted during the built-in workout programs.

Charge Portable Devices with USB port

USB Port Charging function:

Charge your personal device during your workout using the fitness equipment's on-console USB port.

To charge your mobile electronics make sure the fitness equipment power is on.

Step 1: Connect your USB charging cable (not included) to the USB Power Port and to your device.

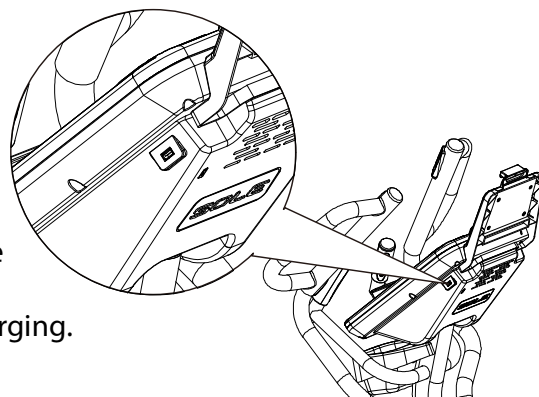
Step 2: Check to make sure your device icon indicates it is charging.

NOTE :

* USB charging cable is not included, make sure compatible USB charging cable is being used.

** Your device "charging" icon may or may not indicate it is charging. Depending on the amount of current your particular device requires for charging the icon may not be on but your device is still charging, but possibly at a lower charge rate.

***The USB port on the console is capable of powering USB devices. It provides up to 5Vdc/0.5 amp of power and meets USB 2.0 regulations. You will not be able to save your workout data to a USB via this port; it is used for charging purposes only.



OPERATION OF YOUR FITNESS ELLIPTICAL

GETTING FAMILIAR WITH THE CONTROL PANEL

E95s CONSOLE

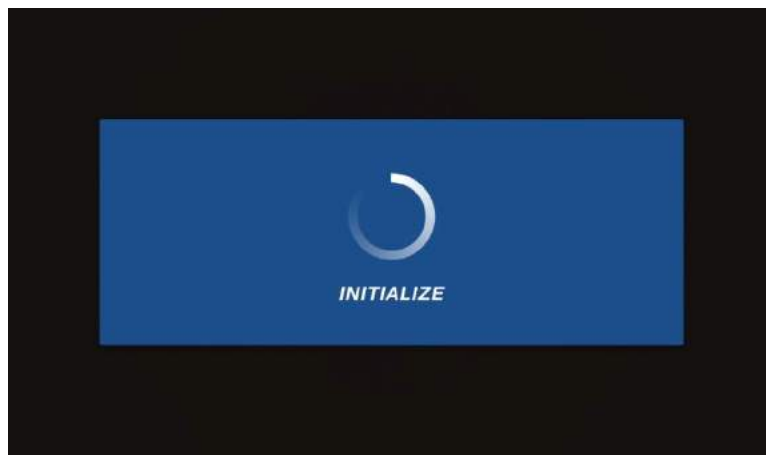


POWER UP

When power is connected to the elliptical the console will automatically power up. These models are connected directly to 115 VAC and there is a power switch located where the line cord plugs into the unit on the left side near the front.

When it is first powered on, the boot screen will display Odometer readings for a short time, Total time will show how many hours the elliptical has been in use and the Total distance will show how many miles (or Kilometers if the elliptical is set to metric readings) the elliptical has gone. The elliptical will then enter idle mode, which is the starting point for operation.

SOLE FITNESS	
TOTAL TIME	20:01:30
TOTAL DISTANCE	153.5
SOFTWARE VER.	20151111 V 1.0



SOLE
FITNESS

Let's begin

Manual	Hill	FatBurn	Cardio	Strength
HIIT	User 1	User 2	HR 1	HR 2

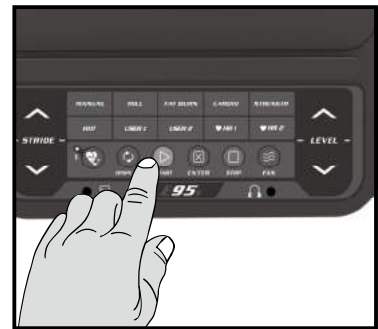
Select workout, then press Start to begin or press Enter to modify

Main workout home page

CONSOLE OPERATION

START KEY

This is the quickest way to start a workout. After the console powers up you just press the **Start** key to begin, this will initiate the Start key mode. In Start key, the time will count up from zero. The resistance level and stride can be adjusted manually by pressing the **Level ▲/▼** or **Stride ▲/▼** buttons. The dot matrix display will be showing a track with a blinking dot indicating your progress as it travels around the track.



BASIC INFORMATION

When you press the Display button, the data shown on the screen will change. If you don't press the Display button a 2nd time, the screen will return to the workout screen after 3 seconds.

Screen	Field	Value
Main Workout	Stride	18.5
	Distance	5.1
	Time	12:20
	Pace	6:00
	Level	3
	Pulse	120
	HR %	55%
	Manual Program	MANUAL PROGRAM
	Calories	150
	Watts	150
Data Menu 1	LAPS	15
	SPEED	3.0
	RPM	80
	SEGMENT TIME	10:00
	WATTS	150
Data Menu 2	LAPS	15
	SPEED	3.0
	RPM	80
	SEGMENT TIME	10:00
	WATTS	150
	LEVEL	3
Data Menu 3	LAPS	15
	SPEED	3.0
	RPM	80
	LEVEL	3
Data Menu 4	LAPS	15
	SPEED	3.0
	RPM	80
	WATTS	150

MANUAL

PROGRAM

USER1/USER2

HRC1/HRC2

The Elliptical has a built in heart rate monitoring system. Simply grasping the **Contact Heart Rate Sensors** on the stationary handle bars or wearing the chest strap transmitter will start the heart (see Heart Rate Programs) Icon blinking (this may take a few seconds). The **Pulse Window** will display your heart rate in beats per minute and the HR bar graph will show your current % in relation to projected heart rate maximum. The chest strap is a more accurate and reliable method of heart rate reading. The hand pulse sensors are subject to false readings depending on user physiology and workout habits including how one grips the sensors or how sweaty their hands are.

The **Stop** button actually has several functions. Pressing the **Stop** key once during a program will **Pause** the program for 5 minutes. If you need to get a drink, answer the phone or any of the many things that could interrupt your workout, this is a great feature. To resume your workout during **Pause** just press the **Start** key. If the **Stop** button is pressed twice during a workout the program will end and a **Workout Summary** is displayed.



If the **Stop** key is held down for 3 seconds the console will perform a complete **Reset**. During data entry for a program the **Stop** key performs a **Previous Screen** function. This allows you to go back one step in the programming each time you press the **Stop** key.

There is an **Audio In Jack** (🎵) on the front of the console and built-in speakers. You may plug any low-level audio source signal into this port. Audio sources include MP3, iPod, portable radio, CD player or even a TV or computer audio signal. There is also a **Headphone Jack** (🎧) for private listening.

PROGRAMMING THE CONSOLE

Each of the programs can be customized with your personal information and changed to suit your needs. Some of the information asked for is necessary to ensure the readouts are correct. You will be asked for your **Age**, **Weight** and **Time**. Entering your **Age** is necessary during the Heart Rate control program to ensure the correct settings are entered in the program; entering your **Weight** aides in calculating a more correct **Calorie** reading. Although we cannot provide an exact calorie count we do want to be as close as possible.



Setting Age,Weight and Time page

A message about Calories: Calorie readings on every piece of exercise equipment, whether it is in a gym or at home, are not accurate and tend to vary widely. They are meant only as a guide to monitor your progress from workout to workout. The only way to measure your calorie burn accurately as in a clinical setting connected to a host of machines. This is because every person is different and burns calories at a different rate.

ENTERING A PROGRAM AND CHANGING SETTINGS

Press each program button to scroll through the program selections. The **Speed** profile for each program will be displayed in the window. The stride profile will appear if you press the Display key. Press the **Enter** key to select a program and begin customizing the settings. If you want to workout without entering new settings, then just press the **Start** key. This will bypass the programming of data and take you directly to the start of your workout. If you want to change the personal settings, then just follow the instructions in the **Window**. If you start a program without changing the settings, the default settings will be used.

***Note:** Age and Weight default settings will change when you enter a new number. So the last Age and Weight entered will be saved as the new default settings. If you enter Age and Weight the first time you use the elliptical you will not have to enter it every time you work out unless either Age or Weight has changed or someone else enters a different Age and Weight.*

New Sole App to be used in conjunction with select Apple & Android devices!

In order to help you achieve your exercise goals, Sole has added an exciting new feature to this product. Your new exercise machine comes equipped with a Bluetooth® transceiver that will allow it to interact with selected phones or tablet computers via the Sole Fitness App.

Just download the free Sole Fitness App from the Apple Store or Google Play, and follow the instructions in the App to sync with your exercise machine. This allows you to view current workout data in three different Display screens on your device. You can easily switch back and forth from the workout display view to internet/social media/email sites via icons on the display screen. When your workout is finished, the data is automatically saved to the built-in personal calendar for future reference.

Our new Sole Fitness App also allows you to sync your workout data to one of many fitness cloud sites we support: iHealth, MapMyFitness, Record or Fitbit.

Syncing the App with your exercise machine:

After downloading the App, make sure Bluetooth® is enabled on your device, then tap the icon in the top left corner to search for Sole equipment.



After the equipment is detected, tap Connect. When the App and equipment are synced, the Bluetooth® icon on the equipment's console will light up. You may now start using your new Sole product!

If the elliptical is not connected to the app, the console will display "SYNC" when the workout is over. You can then connect using your phone or tablet to store workout data in the App. The console can only store the last workout data. When the elliptical returns to IDLE MODE, workout data will be erased.

*Note: Your device will need to run on a minimum operating system of iOS 7 or Android 4.4 or above for the Sole Fitness App to operate properly.

The exercise equipment's Bluetooth device (BLE 4.0) can also be connected to the Bluetooth wireless heart rate chest strap transmitter (BLE 4.0). The chest strap transmitter can receive signals even when the App is already in use. In order to do such a functional switch, you need to use the heart rate key on the key board. Take the following steps to achieve this:

In idle mode, the heart rate Bluetooth LED on the keypad will not be lit if the Bluetooth function is currently connected with the App.

In idle mode, press the heart rate key on the key board. The Bluetooth LED will light on. This shows that the Bluetooth function is now switched to connect to the Bluetooth wireless heart rate chest strap. You can wear the Bluetooth wireless heart rate chest strap first then commence connection. While in connection, the console will show heart rate value via Bluetooth.

When the workout is over, the console will automatically switch its Bluetooth connection back to the previously connected App.

The exercise equipment can also play music wirelessly via Bluetooth. Turn on your mobile phone or tablet's Bluetooth function. Search for the name "Bt-speaker" in your device's Bluetooth menu. Tap to connect. Now your device can transmit music to the exercise equipment.

PROGRAMMABLE FEATURES

MANUAL PROGRAM

The **Manual** program works as the name implies, manually. This means that you control the workload yourself and not the computer.

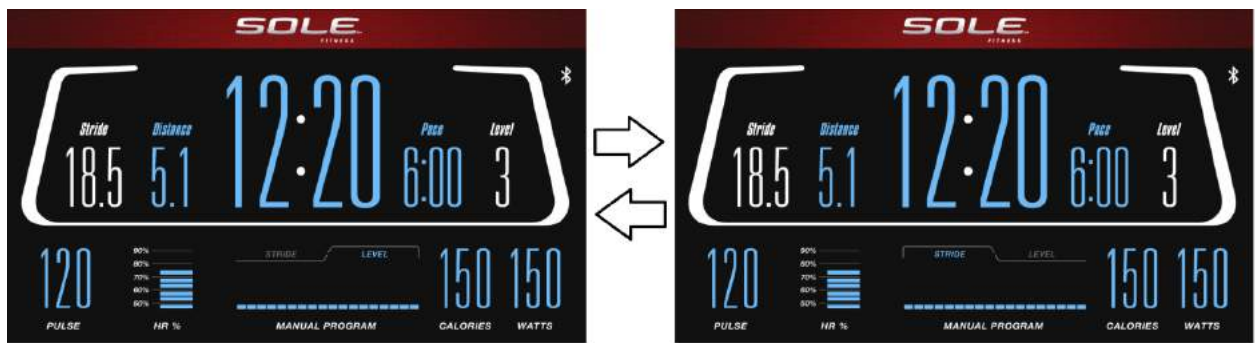
MANUAL PROGRAM

The **Manual** program works as the name implies, manually. This means that you control the workload yourself and not the computer.

1. Press the **Manual** program button.
2. The menu will ask you to adjust Age. Use the **Level ▲/▼**, then press Enter.
3. You are now asked to enter your Weight. You may adjust your weight setting using the Level ▲/▼ keys, then press Enter to continue.
4. Next is the **Time**. You may adjust the length of **Time** by pressing the **stride** or **Level ▲/▼** keys, then press **Enter** to continue.



5. Now you are finished editing the settings and can begin your workout by pressing the **Start** key. You can also go back and modify your settings by pressing the **Stop** key to go back one level of the programming screen.
6. Once the program starts the elliptical will be set to level one. This is the easiest level and it is a good idea to stay at level one for a while to warm up. If you want to increase the work load at any time press the **Level ▲** key; the **Level ▼** key will decrease the workload.
7. When you workout in Manual mode, pressing the Display key will change the data shown.
8. Pressing the Enter key will change the Stride and Level profile displayed.



Press the ENTER key to change profile display

- In workout mode, if you press the Stop button, the program will be Paused. The screen displays "Press Start to Resume" or "Press Stop to End".



- When the program ends the Window will show a summary of your workout. The summary will be displayed for a short time then the console will return to the startup display. SUMMARY data contains TIME, DISTANCE, CALORIES, AVG PACE, and AVG RPM, and AVG SPEED, and AVG STRIDE and the AVG LEVEL, AVG WATTS, AVG PULSE.

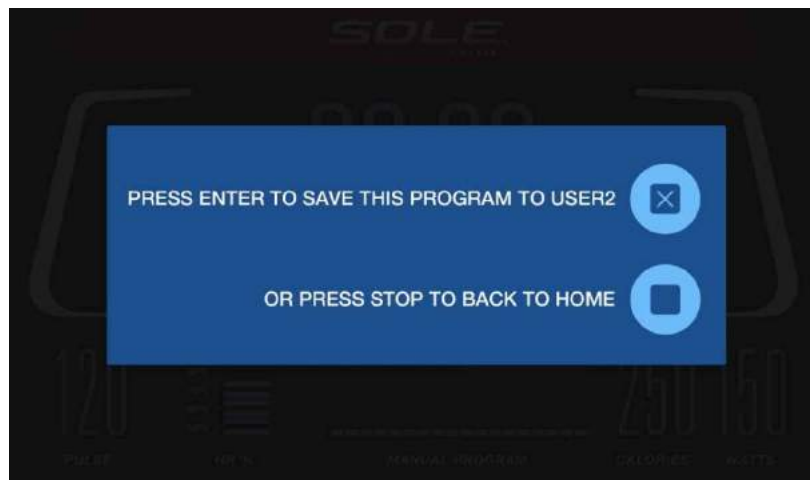
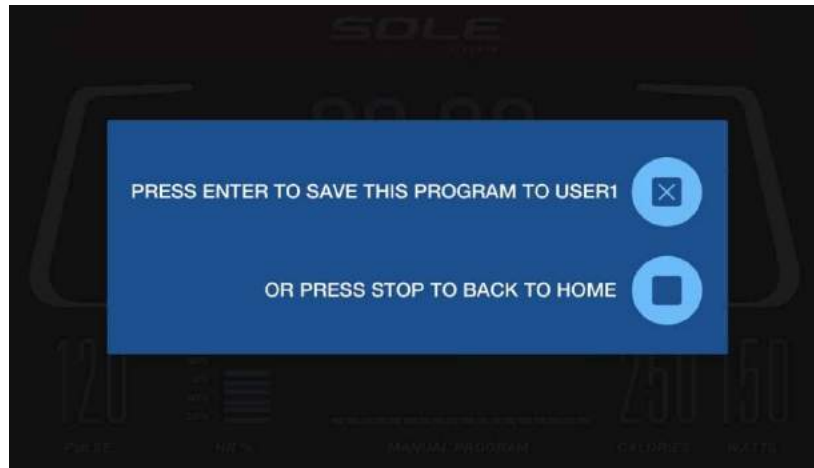
- Next you can select "Press Start to Repeat, Press Stop to End, or Press User to save.



12. You can store workout data to either User1 or User 2.

When the START key is pressed again, the console will be in accordance with the previously set data directly.

When the user presses the USER 1 button, the screen display "PRESS ENTER TO SAVE THIS PROGRAM TO USER1 OR PRESS STOP TO BACK TO HOME", press the ENTER key to confirm storage, press STOP key choose not to store and then left back to main workout home page.

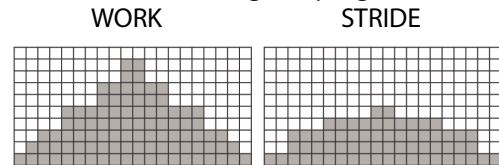


PRESET PROGRAMS

The Elliptical has five different programs that have been designed for a variety of workouts. These five programs have factory preset work level profiles for achieving different goals.

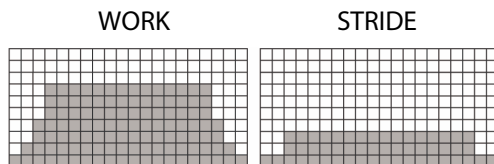
Hill

The **Hill** program simulates going up and down a hill. The resistance in the pedals will steadily increase and then decrease during the program.



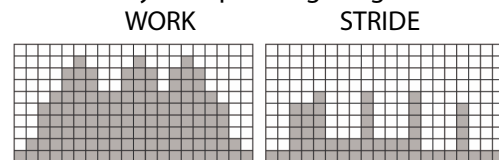
Fat Burn

The **Fat Burn** program is designed, as the name implies, to maximize the burning of fat. There are many schools of thought on the best way to burn fat but most experts agree that a lower exertion level that stays at a steady workload is the best. The absolute best way to burn fat is to keep your heart rate at around 60% to 70% of its maximum potential. This program does not use heart rate but simulates a lower, steady exertion workout.



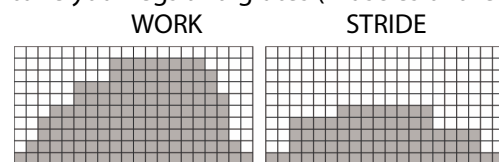
Cardio

The **Cardio** program is designed to increase your cardiovascular function and endurance. This is exercise for your heart and lungs. It will build up your heart muscle and increase blood flow and lung capacity. This is achieved by incorporating a higher level of exertion with slight fluctuations in work.



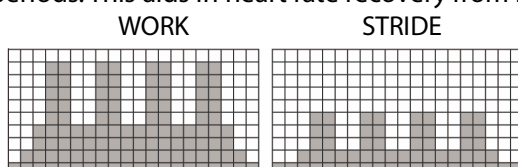
Strength

The **Strength** program is designed to increase muscular strength in your lower body. This program will steadily increase in resistance to a high level and forces you to sustain it. This is designed to strengthen and tone your legs and glutes (muscles of the butt).



HIIT

The **HIIT** program takes you through high levels of intensity followed by periods of low intensity. This program increases your endurance by depleting your oxygen level followed by periods of recovery to replenish oxygen. Your cardiovascular system gets programmed to use oxygen more efficiently this way. This program also forces your body to become more efficient due to spikes in heart rate, between recovery periods. This aids in heart rate recovery from intense activities.



PROGRAMMING PRESET BUTTONS

1. Press the desired program button then press the **Enter** key.
2. The **Message Window** will ask you to enter your **Age**. You may adjust the age setting, using the **Level ▲/▼** keys, then press the **Enter** key.
3. You are now asked to enter your **Weight**. You may adjust the weight number using the **Level ▲/▼** keys then press **Enter** to continue.
4. Next is **Time**. You may adjust the **Time** and press **Enter** to continue.
5. Now you are asked to adjust the **Max Level**. This is the peak exertion level you will experience during the program (the highest colored segment/box of the program profile). Adjust the level and then press **Enter**.
6. You can now choose to turn on the stride profile for this program. If you choose to turn off the stride, you can still control the stride manually during your workout, but the automated stride changes will be off. Press the **Enter** key when you are finished selecting.
7. Now you are finished editing the settings and can begin your workout by pressing the **Start** key. You can also go back and modify your settings by pressing the **Stop** key to go back one level, or screen.
8. If you want to increase or decrease the resistance or **Stride length** at any time during the program press the Level or **Stride ▲/▼** keys.
9. When you workout in Manual program mode press the DISPLAY key can change the display information.
10. When the program ends the Window will show a summary of your workout. The summary will be displayed for a short time then the console will return to the start-up display.



CUSTOM USER DEFINED PROGRAMS

The customizable User programs allow you to build and save your own workout. You can build your own custom program by following the instructions below.

1. Press the USER 1 or USER 2 key. If you have already saved a program to either U1 or U2, it will be displayed and you are ready to begin. If not, you will have the option of inputting a username. In the Window, the letter "A" will be blinking. Use the **Level ▲/▼** buttons to select the appropriate first letter of your name (pressing the **Level ▲/▼** button will switch to the letter "B"; pressing the Down button will switch to letter "Z"). Press Enter when the desired letter is displayed. Repeat this process until all of the characters of your name have been programmed (maximum 7 characters). When finished press Stop.
2. If there is a program already stored in User when you press the key, you will have an option to run the program as it is or delete the program and build a new one. At the windows you will be prompted: Run Program? Use the **Level ▲/▼** to select Yes or No. If you select No, you will then be asked if you want to delete the currently saved program. It is necessary to delete the current program if you want to build a new one.
3. Next the menu will be display Age window first. You may enter your age using the **Level ▲/▼** keys, then press the Enter key to accept the new number and proceed on to the next screen.

4. You are now asked to enter your Weight. You may adjust the weight number using the Level ▲/▼ keys, then press Enter to continue.
5. Next is Time. You may adjust the Time using the Level ▲/▼ keys and press Enter to continue.
6. Now the first column will be blinking and you are asked to adjust the level for the first segment of the workout. When you finish adjusting the first segment, or if you don't want to change, then press Enter to continue to the next segment. The next segment will show the same level as the previously adjusted segment. Repeat the same process as the last segment then press Enter. Continue this process until all eighteen segments have been set.
7. Now the first column will be blinking again and you are asked to adjust the stride level for the first segment of the workout. Follow the same procedure for building the stride profile as you did for the resistance profile.
8. The **Window** will then tell you to start to begin (and save the program) or **Enter** to modify the program. Pressing **Stop** will exit to the start up screen.
9. If you want to increase or decrease the workload at any time during the program press the Level ▲/▼ key. This will only affect the Level or **stride** for the present column in the profile. When the profile changes to the next column it will return to the preset work level.
10. When the program ends the Window will show a summary of your workout. The summary will be displayed for a short time then the console will return to the start-up display.

HEART RATE PROGRAMS

Before we get started, a word about Heart Rate:

The old motto, “no pain, no gain”, is a myth that has been overpowered by the benefits of exercising comfortably. A great deal of this success has been promoted by the use of heart rate monitors. With the proper use of a heart rate monitor, many people find that their usual choice of exercise intensity was either too high or too low and exercise is much more enjoyable by maintaining their heart rate in the desired benefit range.

To determine the benefit range in which you wish to train, you must first determine your Maximum Heart Rate. This can be accomplished by using the following formula: 220 minus your age. This will give you the Maximum Heart Rate (MHR) for someone of your age. To determine the effective heart rate range for specific goals you simply calculate a percentage your MHR. Your Heart rate training zone is 50% to 90% of your maximum heart rate. 60% of your MHR is the zone that burns fat while 80% is for strengthening the cardio vascular system. This 60% to 80% is the zone to stay in for maximum benefit.

For someone who is 40 years old their target heart rate zone is calculated:

$$220 - 40 = 180 \text{ (maximum heart rate)}$$

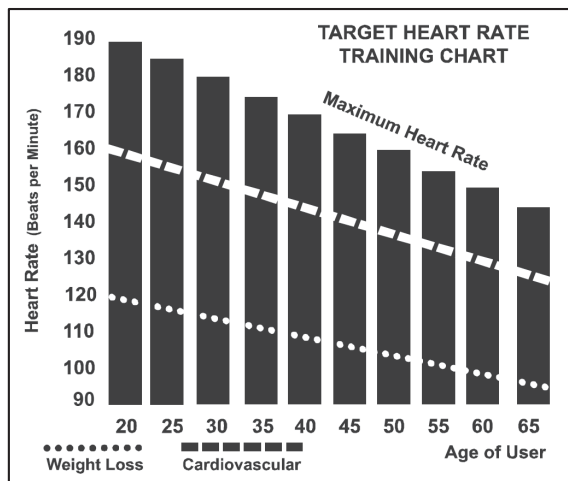
$$180 \times .6 = 108 \text{ beats per minute}$$

(60% of maximum)

$$180 \times .8 = 144 \text{ beats per minute}$$

(80% of maximum)

So for a 40 year old the training zone would be 108 to 144 beats per minute.



If you enter your age during programming the console will perform this calculation automatically. Entering your age is used for the Heart Rate control programs. After calculating your MHR you can decide upon which goal you would like to pursue.

The two most popular reasons for, or goals, of exercise are cardiovascular fitness (training for the heart and lungs) and weight control. The black columns on the chart above represent the MHR for a person whose age is listed at the bottom of each column. The training heart rate, for either cardiovascular fitness or weight loss, is represented by two different lines that cut diagonally through the chart. A definition of the lines' goal is in the bottom left-hand corner of the chart. If your goal is cardiovascular fitness or if it is weight loss, it can be achieved by training at 80% or 60%, respectively, of your MHR on a schedule approved by your physician. Consult your physician before participating in any exercise program.

With all SOLE Heart Rate Control fitness ELLIPTICAL machines you may use the heart rate monitor feature without using the Heart Rate Control program. This function can be used during manual mode or during any of the nine different programs. The Heart Rate Control program automatically controls resistance at the pedals.

RATE OF PERCEIVED EXERTION

Heart rate is important but listening to your body also has a lot of advantages. There are more variables involved in how hard you should workout than just heart rate. Your stress level, physical health, emotional health, temperature, humidity, the time of day, the last time you ate and what you ate, all contribute to the intensity at which you should workout. If you listen to your body, it will tell you all of these things.

The rate of perceived exertion (RPE), also known as the Borg scale, was developed by Swedish physiologist G.A.V. Borg. This scale rates exercise intensity from 6 to 20 depending upon how you feel or the perception of your effort.

The scale is as follows:

Rating Perception of Effort

6 Minimal

7 Very,very light

8 Very,very light +

9 Very light

10 Very light +

11 Fairly light

12 Comfortable

13 Somewhat hard

14 Somewhat hard +

15 Hard

16 Hard +

17 Very hard

18 Very hard +

19 Very,very hard

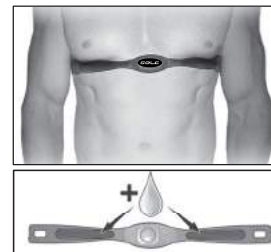
20 Maximal

You can get an approximate heart rate level for each rating by simply adding a zero to each rating. For example a rating of 12 will result in an approximate heart rate of 120 beats per minute. Your RPE will vary depending up the factors discussed earlier. That is the major benefit of this type of training. If your body is strong and rested, you will feel strong and your pace will feel easier. When your body is in this condition, you are able to train harder and the RPE will support this. If you are feeling tired and sluggish, it is because your body needs a break. In this condition, your pace will feel harder. Again, this will show up in your RPE and you will train at the proper level for that day.

USING HEART RATE TRANSMITTER

How to wear your wireless chest strap transmitter:

1. Attach the transmitter to the elastic strap using the locking parts.
2. Adjust the strap as tightly as possible as long as the strap is not too tight to remain comfortable.
3. Position the transmitter with the SOLE logo centered in the middle of your body facing away from your chest (some people must position the transmitter slightly left of center). Attach the final end of the elastic strap by inserting the round end and, using the locking parts, secure the transmitter and strap around your chest.
4. Position the transmitter immediately below the pectoral muscles.
5. Sweat is the best conductor to measure very minute heart beat electrical signals. However, plain water can also be used to pre-wet the electrodes (2 ribbed oval areas on the reverse side of the belt and both sides of the transmitter). It's also recommended that you wear the transmitter strap a few minutes before your work out. Some users, because of body chemistry, have a more difficult time in achieving a strong, steady signal at the beginning. After "warming up", this problem lessens. As noted, wearing clothing over the transmitter/strap doesn't affect performance.
6. Your workout must be within range - distance between transmitter/receiver - to achieve a strong steady signal. The length of range may vary somewhat but generally stay close enough to the console to maintain good, strong, reliable readings. Wearing the transmitter immediately against bare skin assures you of proper operation. If you wish, you may wear the transmitter over a shirt. To do so, moisten the areas of the shirt that the electrodes will rest upon.



Note: The transmitter is automatically activated when it detects activity from the user's heart. Additionally, it automatically deactivates when it does not receive any activity. Although the transmitter is water resistant, moisture can have the effect of creating false signals, so you should take precautions to completely dry the transmitter after use to prolong battery life (estimated transmitter battery life is 2500 hours). The replacement battery is Panasonic CR2032.

ERRATIC OPERATION

Caution! Do not use this elliptical for Heart Rate unless a steady, solid Actual Heart Rate value is being displayed. High, wild, random numbers being displayed indicate a problem.

Areas to look for interference which may cause erratic heart rate:

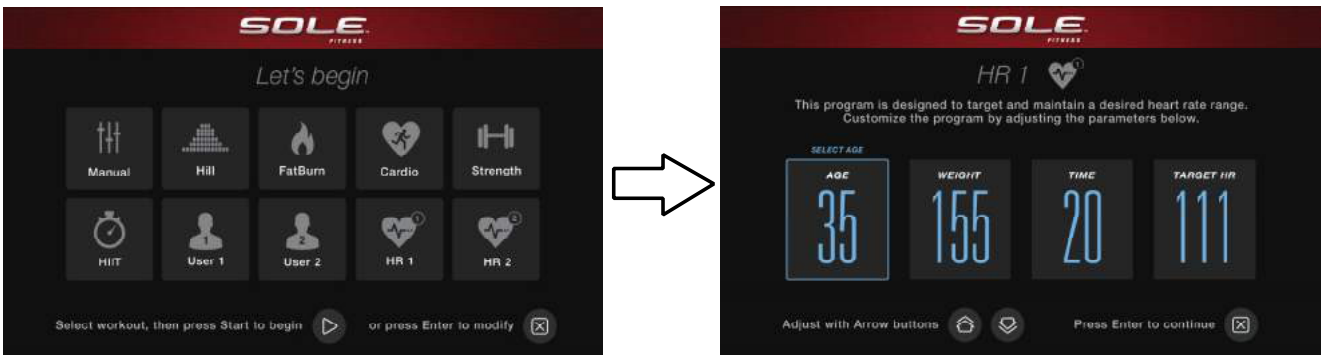
1. Microwave ovens, TV's, small appliances, etc.
2. Fluorescent lights.
3. Some household security systems.
4. Perimeter fence for a pet.
5. Some people have problems with the transmitter picking up a signal from their skin. If you have problems try wearing the transmitter upside down. Normally the transmitter will be oriented so the SOLE logo is right side up.
6. The antenna that picks up your heart rate is very sensitive. If there is an outside noise source, turning the whole machine 90 degrees may de-tune the interference.
7. Another Individual wearing a transmitter within 3' of your machine's console.

If you continue to experience problems contact your dealer.

HEART RATE PROGRAM OPERATION

Both programs operate the same, the only difference is that the default for **HR1** is set to 60% and **HR2** is set to 80% of the maximum heart rate. They both are programmed the same way. To start an **HR** program follow the instructions below or just select the **HR1** or **HR2** program, then press the **Enter** button and follow the directions in the **Message Window**.

1. Press the HR1 or HR2 key.
2. In the setting, the menu will display Age at first item. You may enter your Age, using the Level **▲/▼** keys or the numeric key pad, then press the Enter key to accept the new number and proceed on to the next page.



3. You are now asked to enter your **Weight**. You may adjust the **Weight** using the **Level ▲/▼** keys, or the numeric key pad then press **Enter** to continue.
4. Next is **Time**. You may adjust the **Time** and press **Enter** to continue.
5. Now you are asked to adjust your **Target Heart Rate**. This is the heart rate level you will strive to reach and maintain during the program. Adjust the level and then press **Enter**.
6. Now you are finished editing the settings and can begin your workout by pressing the **Start** key. You can also go back and modify your settings by pressing the **Enter** key.
Note: At any time during the editing of Data you can press the **Stop** key to go back one level, or screen.
7. If you want to increase or decrease the workload at any time during the program press the **Level ▲/▼** keys. This will allow you to change your **Target Heart Rate** at any time during the program.
8. When the program ends you may press **Start** to begin the same program again or **Stop** to exit the program.

” This program requires the use of the chest strap. An RPM signal must be received before the unit can determine the appropriate resistance level.“



If this picture is displayed, please attach your chest strap and make sure it is communicating with the console.

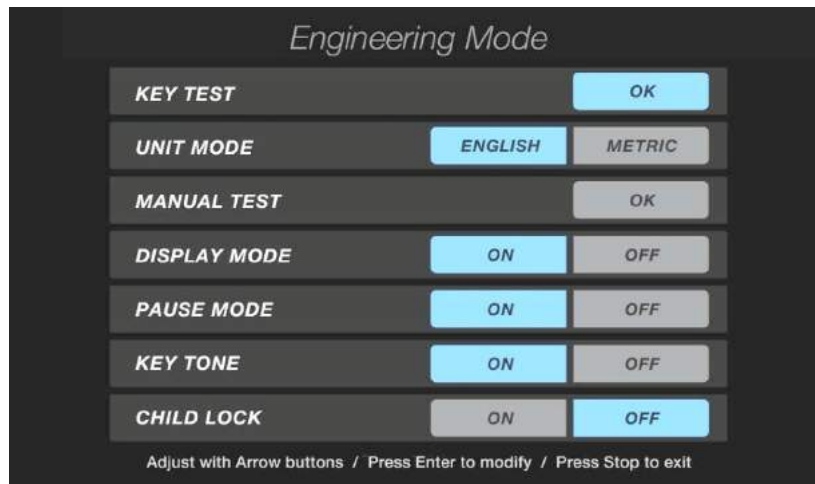
GENERAL MAINTENANCE

1. Wipe down all areas in the sweat path with a damp cloth after each workout.
2. If a squeak, thump, clicking or rough feeling develops the main cause is most likely one of two reasons:
 - I. The hardware was not sufficiently tightened during assembly. All bolts that were installed during assembly need to be tightened as much as possible. It may be necessary to use a larger wrench than the one provided if you cannot tighten the bolts sufficiently. I cannot stress this point enough; 90% of calls to the service department for noise issues can be traced to loose hardware or the rear rails being dirty.
 - II. Dirt build-up on the rear rails and polyurethane wheels are also a source of noise. Noise from build-up on the rails can cause a thumping sound that you would swear is coming from inside the main body of the machine because noise travels, and is amplified in the tubing of the frame. Clean the rails and wheels with a lint free cloth and rubbing alcohol. Stubborn build-up can be removed with your thumbnail or a non-metallic scraper, like the back edge of a plastic knife. After cleaning, apply a small amount of lubricant on the rails with your fingers or a lint free cloth. You only need a thin coat of lubrication, wipe off any excess.
3. If squeaks or other noises persist, check that the unit is properly leveled before calling the service department.

MAINTENANCE MENU IN CONSOLE SOFTWARE

The console has built in maintenance/diagnostic software. The software will allow you to change the console settings from English to Metric and turn off the beeping of the speaker when a key is pressed for example. To enter the Maintenance Menu (may be called Engineering Mode, depending on version) press and hold down the **Start**, **Stop** and **Enter** keys keep holding the keys down for about 5 seconds and until the display shows display "Engineering Mode". Press the **Enter** button to access the menu below. Press the **Level ▲/▼** keys to navigate the menu.

- A. **KEY TEST** - Will allow you to test all the keys to make sure they are functioning.
- B. **UNIT MODE** - Choose from English or Metric display readings.
- C. **MANUAL TEST** - Allows stepping of the gear motor.
- D. **DISPLAY MODE** - Turn off to have the console power down automatically after 30 minutes of inactivity.
- E. **PAUSE MODE** - Turned on to allow 5 minutes of pause, turn off to have console.
- F. **KEY TONE** - Turn on or off the beep sound when a key is pressed.
- G. **CHILD LOCK** - Allows you to lock the keypad so no unauthorized use of the machine is allowed. When the child lock is enabled, the console will not allow the keypad to operate unless you press and hold the Start and Enter buttons for 3 seconds to unlock the console.



Engineering Mode display page

When the STOP key is pressed, the screen appeared to exit the prompt string "EXIT FACTORY MODE AND RETURN TO THE HOME PAGE". Press YES, then back to main workout home page. Press NO you back to the Maintenance menu page, the screen shown below:



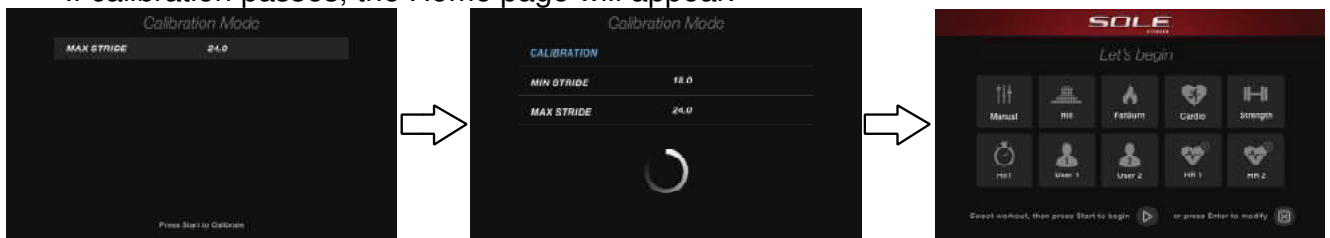
Stride Calibration: If there is a problem with the [stride](#), try running the calibration. Press the Stride up key and the Start key at the same time. Hold them down for 5 seconds and press Start key to begin [stride](#) calibration will start and run automatically. Exit the calibration page you need to power off then power on. If the problem persists contact service department.



If calibration is errors of the stride motor, in screen will shows "E-3". You can press STOP key by pass.



If calibration passes, the Home page will appear.



MANUFACTURER'S LIMITED WARRANTY

ELLIPTICAL WARRANTY

Effective August 1,
2019

SOLE warrants all its elliptical parts for a period of time listed below from the date of retail sale, as determined by sale receipt, or in the absence of a sales receipt eighteen (18) months from the original factory shipping date. SOLE's responsibilities include providing new or remanufactured parts, at SOLE's option, and technical support to our independent dealers and servicing organizations. In the absence of a dealer or service organization, these warranties will be administered by SOLE directly to a consumer. The warranty period applies to the following components:

RESIDENTIAL

Frame & Brake	Lifetime
Parts	5 Years
Labor	2 Year

NORMAL RESPONSIBILITIES OF THE CONSUMER

This warranty applies only to products in ordinary household use, and the consumer is responsible for the items listed below:

1. The warranty registration card must be completed and returned to the address listed on the card within 10 days of the original purchase to validate the manufacturer's limited warranty.
2. Proper use of the elliptical in accordance with the instructions provided in this manual
3. Proper installation in accordance with instructions provided with the elliptical and with all local electric codes.
4. Proper connection to a grounded power supply of sufficient voltage, replacement of blown fuses, repair of loose connections or defects in house wiring.
5. Expenses for making the elliptical accessible for servicing, including any item that was not part of the elliptical at the time it was shipped from the factory.
6. Damages to the elliptical finish during shipping, installation or following installation.
7. Routine maintenance of this unit as specified in this manual.

EXCLUSIONS

This warranty does not cover the following:

1. CONSEQUENTIAL, COLLATERAL, OR INCIDENTAL DAMAGES SUCH AS PROPERTY DAMAGE AND INCIDENTAL EXPENSES RESULTING FROM ANY BREACH OF THIS WRITTEN OR ANY IMPLIED WARRANTY.
Note: Some states do not allow the exclusion or limitation of incidental or consequential damages, so this limitation or exclusion may not apply to you.
2. Service call reimbursement to the consumer. Service call reimbursement to the dealer that does not involve malfunction or defects in workmanship or material, for units that are beyond the warranty period, for units that are beyond the service call reimbursement period, for fitness ELLIPTICAL not requiring component replacement, or fitness ELLIPTICAL not in ordinary household use.
3. Damages caused by services performed by persons other than authorized SOLE service companies; use of parts other than original SOLE parts; or external causes such as corrosion, discoloration of paint or plastic, alterations, modifications, abuse, misuse, accident, improper maintenance, inadequate power supply, or acts of God.
4. Products with original serial numbers that have been removed or altered.
5. Products that have been: sold, transferred, bartered, or given to a third party.
6. Products that do not have a warranty registration card on file at SOLE. SOLE reserves the right to request proof of purchase if no warranty record exists for the product.
7. THIS WARRANTY IS EXPRESSLY IN LIEU OF ALL OTHER WARRANTIES EXPRESSED OR IMPLIED, INCLUDING THE WARRANTIES OF MERCHANTABILITY AND/OR FITNESS FOR A PARTICULAR PURPOSE.
8. Product use in any environment other than a residential setting.
9. Warranties outside of North America may vary. Please contact your local dealer for details.

SERVICE

Keep your bill of sale. Twelve (12) months from the date on the bill of sale or eighteen (18) months from the date of factory shipping as determined by the serial number establishes the labor warranty period should service be required. If service is performed, it is in your best interest to obtain and keep all receipts. This written warranty gives you specific legal rights. You may also have other rights that vary from state to state. Service under this warranty must be obtained by following these steps, in order:

1. Contact your selling authorized SOLE dealer. OR
2. Submit all service requests including serial number, contact information and a brief description of the problem online at <http://www.soletreadmills.com/serviceparts.html>.
3. If you have any questions about your new product or questions about the warranty contact SOLE Fitness at 1-866-780-SOLE (7653). If you have a technical problem with your new fitness ELLIPTICAL contact SOLE technical service at 866-MYSOLE1 (697-6531).
4. If no local service is available, SOLE will repair or replace the parts, at SOLE's option, within the warranty period at no charge for parts. All transportation costs, both to our factory and upon return to the owner, are the responsibility of the owner. The owner is responsible for adequate packaging upon return to SOLE. SOLE is not responsible for damages that occur during shipping. Make all freight damage claims with the appropriate freight carrier. DO NOT SHIP ANY UNIT TO OUR FACTORY WITHOUT A RETURN AUTHORIZATION NUMBER. All units arriving without a return authorization number will be refused.
5. For any further information, or to contact our service department by mail, send your correspondence to:

SOLE Fitness
P.O. Box 2037
Jonesboro, AR 72402-2037

Product features or specifications as described or illustrated are subject to change without notice. All warranties are made by SOLE.

Before returning your Sole product to any retailer, or if you require any assistance with assembly or technical support please call us first for assistance at 866-697-6531. Thank you for your Sole purchase.

SOLE[™]
FITNESS